

PRECAST REINFORCED CONCRETE Precast Concrete Fence



FEATURES OF PRECAST CONCRETE FENCE



INTRODUCTION

SCI Precast Concrete Fence is a line of precast concrete fencing and concrete wall systems used as perimeter walls, sound barriers, screening walls, and as an attractive security solution. SCI Precast Concrete Fence product is widely used by architects and engineers for a variety residential projects as well as for commercial developments. The product is also applicable to utility sites, city and state government agencies, parks and recreational facilities, community associations and individual homeowners.

SCI Precast Concrete Fence are manufactured to the most stringent specifications with emphasis on strength, uniformity and strict quality control.

Cost-Effective

SCI precast concrete wall system is easy and quick to install, helps cuts down on labor costs and time.

Security Never Looked Better

Premium design, unwavering durability make it a popular choice for public works security walls.

Sound-Blocking

Engineered with sound-buffering technology to reduce noise pollution.

Aesthetic Appeal

Our precast concrete wall systems deliver the clean lines of block concrete—with a difference. You can choose from a variety of color options to match your personal aesthetic.

Resistance to Weather

SCI precast concrete wall systems are designed to withstand a variety of weather conditions.

KEY FEATURE

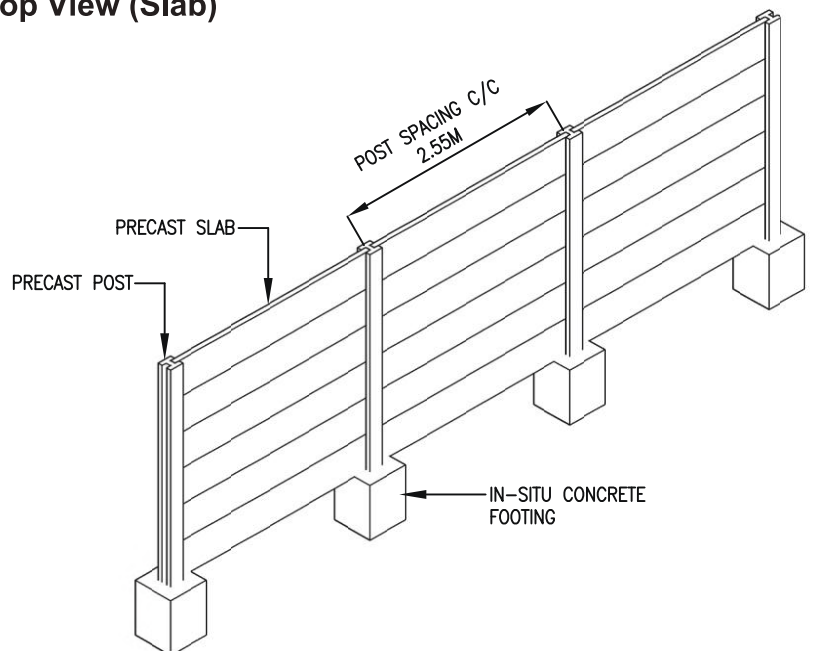
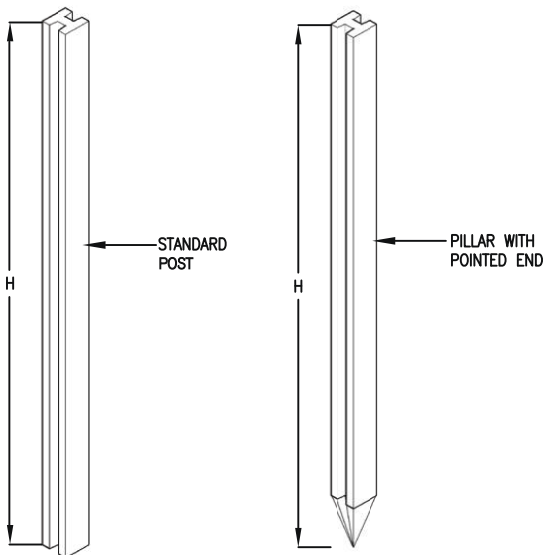
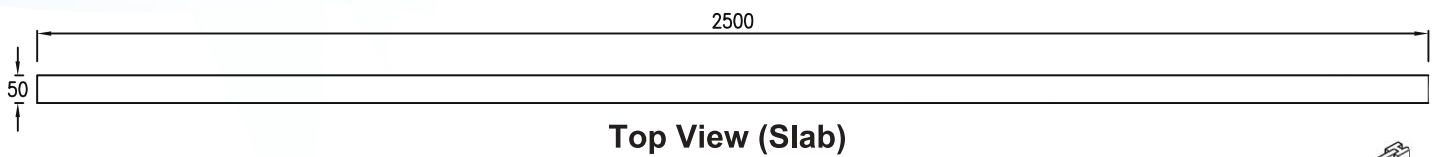
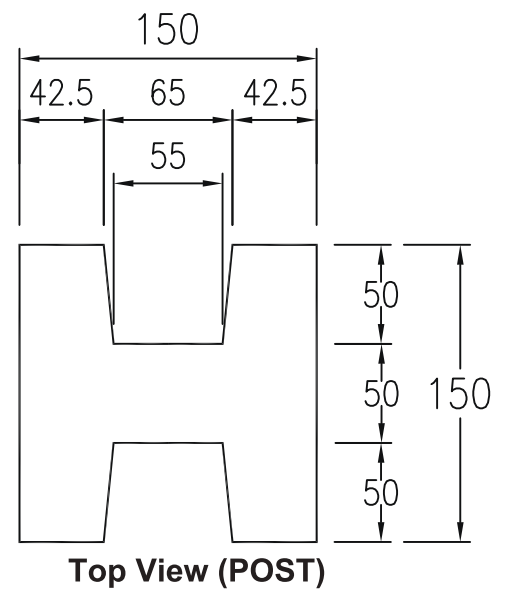
1. Smooth textured look on both sides of each stone panel.
2. Easy to install, no mortar required.
3. Proven manufacturing process ensures strength and longevity.





Precast Concrete Fence Dimension	
Precast Fence (Post)	
Fence Height (mm)	Post Dimension (mm)
1600	2200 x 150 x 150
2000	2600 x 150 x 150
2400	3000 x 150 x 150

Precast Fence (Slab)	
Slab Dimension (mm)	
2500 x 400 x 50	



3D View (Post)

Headquarter Office:

Unit 7-05 & 7-07m, Level 7, Menara MBMR,
No 1, Jalan Syed Putra, 58000 Kuala Lumpur, Malaysia.

Tel No. : 603 -7885 0568
Fax No. : 603 -7885 0186
E-mail : info@speedconcrete.com
Sales Enquiry : sales@speedconcrete.com

Branch Office:

No 83-B, Jalan Harmonium 35/1, Taman Desa Tebrau
81100, Johor Bahru, Johor.

Tel No. : 607-352 3767
Fax No. : 607-352 3768
Mobile No. : 016-331 8475

Manufacture Sites:

RASA

Lot 4, Jalan Persiaran Zurah 1, Pusat Perindustrian Zurah,
44200 Rasa, Hulu Selangor, Selangor Darul Ehsan.

Tel No. : 603- 6057 4915 / 2898 / 2166
Mobile No. : 016-331 8476
Fax No. : 603- 6057 0552

KUANTAN

Lot 16, Kaw. Perindustrian Gebeng, 26080 Kuantan,
Pahang Darul Makmur.

Tel No. : 609- 583 4881 / 4858
Mobile No. : 016-331 8474
Fax No. : 609-583 4732

KLUANG

24 KM, Jalan Paloh, 86000 Kluang, Johor Darul Takzim.

Tel No. : 607- 810 6067
Mobile No. : 012- 237 0726
Fax No. : 607- 810 6076